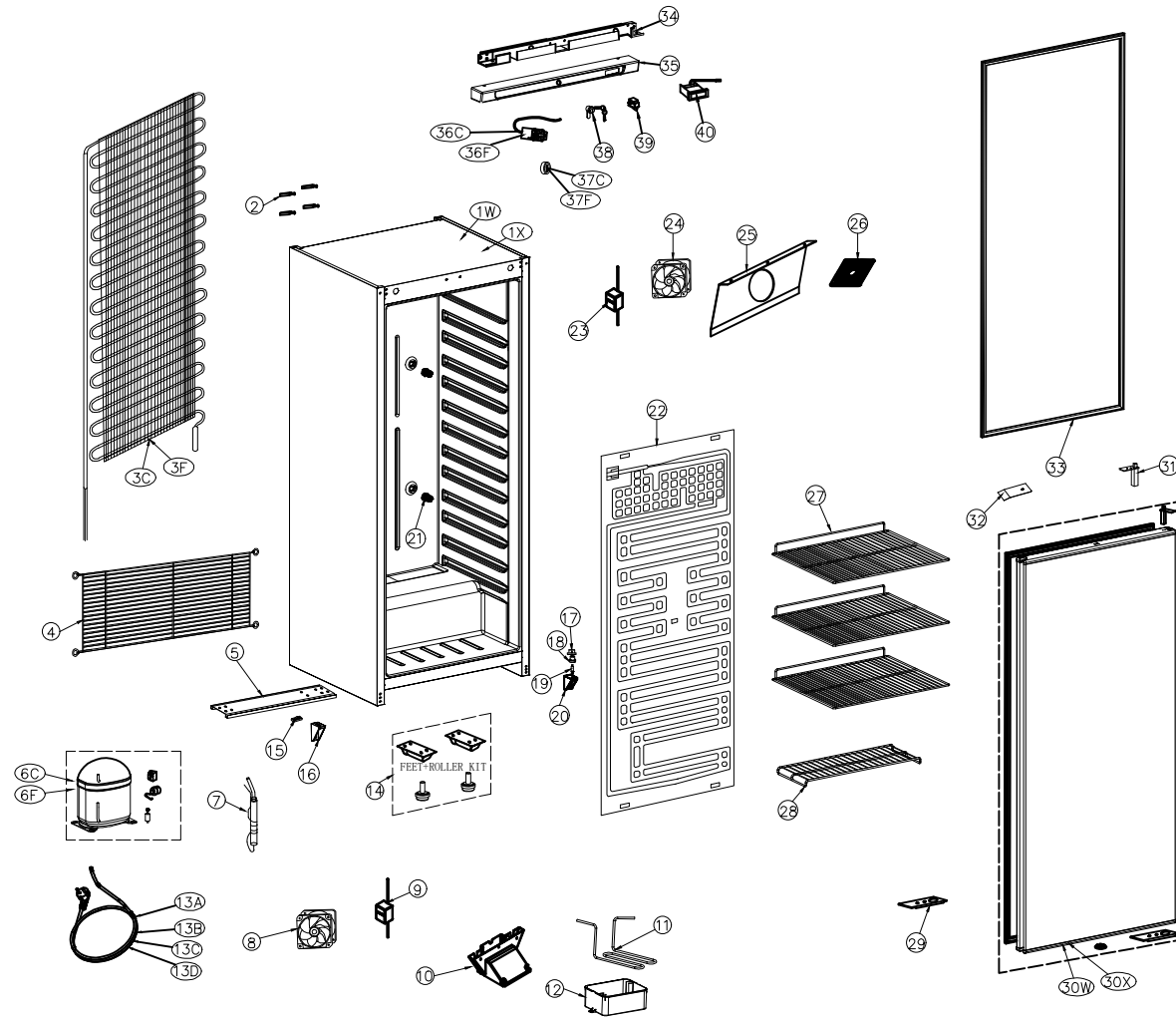
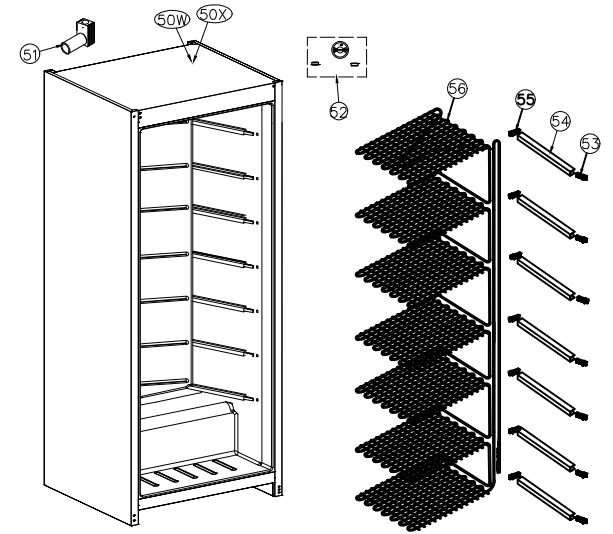


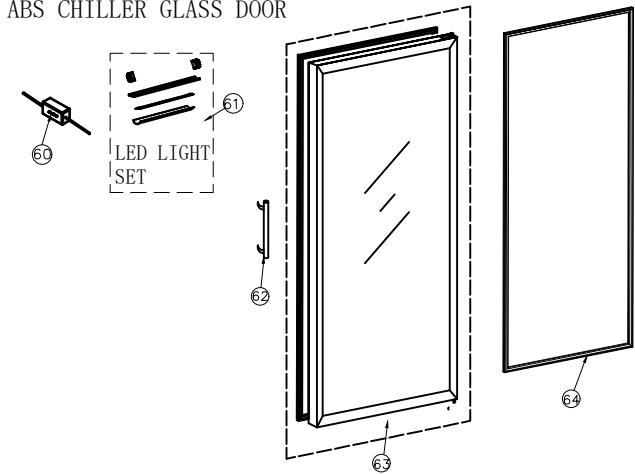
ABS CHILLER SOLID DOOR




ABS FREEZER



ABS CHILLER GLASS DOOR



Legenda:  
 W=White Range  
 X=S/S Range  
 C=Chiller  
 F=Freezer

DATE:2020/05/09	VERSION:A1	Unify all 400/600 Range		DESIGN BY: Alberto	
DATE:2019/08/27	VERSION:A0	DESCRIPTION		DESIGN BY:	
		SCALE	MODEL	Q. TY	REMARKS:
		1:1	Ux400 Ser. Ux600 Ser.		
MATERIAL:S4		UR/URX/UF/UFX/URG/URXG 400-600			
DESIGN BY:Jessie		EXPLODED VIEW			
APPROVED BY:Alberto		CATEGORY	TYPE	GROUP	PART N°
DATE:2017/05/03		EV	1CB0	A1	1200

Item Descr	UR 600	
BOM Num	1	
Build Quan	1	
Fixed Cost	0	
Remark		
Unit	pc	
BOM Components		
Lev. 0	Item Number	Descr
	EV1CB0A11200	UR/UF 400-600 Lt Ser. - EXPLODED VIEW DRAW.(Ver.A1 - S12)
<b>1W</b>	S41AR60A0001	CR 6-STELL PAINTED FOAMED ASSEMBLY BODY (White Color - S12)
<b>1X</b>	S51AR80A0001	CRX 6-STAINLESS STELL FOAMED ASSEMBLY BODY (S/S Color-S12)
<b>2</b>	P01AQ28A0002	CR/CN 2-4-6 Series - REAR CONDENSER SPACER - (S12)
<b>3C</b>	I01AR68A0001	CR 6/CRX 6 - WIRE CONDENSER - (S12)
<b>3F</b>	I01AS08A0001	CN 6/CNX 6 - WIRE CONDENSER - (S12)
<b>4</b>	I01AR69A0003	CR 6/CRX 6 - REAR ENGINE ROOM GRID (White Color-S12)
<b>5</b>	Z01AR63A0003	CR/CN 6 - REAR ENGINE PLATE (Roller/Castor/ S/S Feet -S12)
<b>6C</b>	E27B6J2D0002	ETZ110L COMP.DONPER R600a-220/240V 50Hz-1/3 HP RSCR:
<b>6F</b>	E27B2I3D0000	LK68CU1 COMP.DONPER R290-220/240V 50Hz-5/16 HP CSIR:
<b>7</b>	C01AE66A0001	400-600 ABS Ser./CR Salad./CR-CN 7/14 Ser-DRIER FILTER (S12)
<b>8</b>	E17I1A027000	RDM1225B:12Vdc,0,23A, 2,76W - Wire Lenght 300mm
<b>9</b>	E26B20120031	AC/DC ADAPTER MOD.HYD-1200300EU - (Male Connector)
<b>10</b>	P01AR63A0002	CR/CN 6 - CR/CN4 - ABS CONDENSER FAN CONVEYOUR (Gray - S12)
<b>11</b>	C01AE66A0002	RC 600-CONNECTING PIPE
<b>12</b>	P01AE63A0004	RC 600/RC 400/Saladette CR Series/BBC 386 - WATER TRAY-(S12)
<b>13A</b>	E25EUG307525	POWER CORD 3x0.75 mmq - EU PLUG - GRAY COLOR 2,5 Mt.
<b>13B</b>	E25EUK307525	POWER CORD 3x0,75 mmq - UK PLUG - BLACK COLOR 2.5 Mt
<b>13C</b>	E25AUB307525	POWER CORD 3x0,75 mmq - AUSTRALIAN PLUG - BLACK COLOR 2,5 Mt
<b>13D</b>	E25INB307525	POWER CORD 3x0,75 mmq - INDIA PLUG - BLACK COLOR 2.5 Mt
<b>14</b>	KITFT1AE6A00	RC/RN 600-CR/CRX 4-FEET andROLLERS KIT(N.2 FOOT+N.2 ROLLERS)
<b>15</b>	N01AE62A0007	RC 400/600-RN 400/600 - DOOR PULLEY ON LEFT BOTTOM HINGE
<b>16</b>	A01AE62A0003	RC 400/600-RN 400/600 - BOTTOM LEFT HINGE (Aluminium Color)
<b>17</b>	N01AE62A0009	RC/RN 400/600-CR/CN 7-14 - NYLON UP SLIP COVER (White-S12)
<b>18</b>	Z01AE62A0012	RC/RN 400/600-CR/CN 7-14 - DOWN TURN AXIS - (S12)
<b>19</b>	Z01AE62A0005	RC/RN 400/600-CR/CN 7-14-PIVOT BOTTOM/UPPER RIGHT HINGE-(S12)
<b>20</b>	A01AE62A0004	RC 400/600-RN 400/600 - BOTTOM RIGHT HINGE(Aluminium Color)
<b>21</b>	P01AE60A0006	RC 600/RC 400 - SUPPORT FOR ROLL BOND EVAPORATOR
<b>22</b>	A01AR67A0001	CR/CRX 6 - ROLL BOND EVAPORATOR+CAPILLARY (White Color-S12)
<b>23</b>	E26B20120031	AC/DC ADAPTER MOD.HYD-1200300EU - (Male Connector)
<b>24</b>	E17I1A013000	RDM8025B:12Vdc,0,11A,1,32W-Wire Lenght 300mm
<b>25</b>	S41AR60A0002	CR/CRX 6 - EVAPORATOR FAN (Axial) SUPPORT (White color-S12)
<b>26</b>	P01AZ67A0003	RC/RCG xxxMED Series -EVAPORATOR FAN SAFETY GRID - (S12)
<b>27</b>	I01AR69A0001	CR/CRX 6-UPPER/MIDDLE SHELF (Dim.660*525 mm-GAP 10mm)-S12
<b>28</b>	I01AR69A0002	CR/CRX 6 - BOTTOM SHELF (Dim.530*200 mm-GAP 20mm)-S12
<b>29</b>	S41AE02A0007	RC/RN 400/600 -BOTTOM TURN AXIS REINFORC.(New self clos.S12)
<b>30W</b>	S41AE62A0017	RC/RN 600 -DOOR (Gasket+ NEW Self Clos.+Cap) - GRAY Col.
<b>30X</b>	S51AE82A0005	RCX/RNX 600 -DOOR (Gasket+ NEW Self Clos.+Cap) - GRAY Col.
<b>31</b>	Z01AE62A0006	ABS 400/600 - CR/QR/CN/QN 7-14-SELF CLOSING SPRING-(S12)

<b>32</b>	P01AD22A0010	RC/RN/CR/CN ABS Series - UPPER SWITCH STOPPER - (S12)
<b>33</b>	R01AE62A0016	RC 600/RN 600 - DOOR GASKET (New design)
<b>34</b>	Z01AE61A0015	RC 600/RN 600-UPPER PANEL HOLDER (New self closing - S12)
<b>35</b>	P01AE61A0002	RC/RN 600-TOP PANEL GREY COLOR(CHI DESIGN:DOOR SW+BUZZER)
<b>36C</b>	E20A001C1R10	WPF1.5E THERMOSTAT (R600a - ABS Range)
<b>36F</b>	E20A001F0W07	WPF 24-150 - SERIES WPF THERMOSTAT
<b>37C</b>	P01CA61A0002	UR Ser. - FLAT THERMOSTAT KNOB + ROUND STICKER (Chiller-S12)
<b>37F</b>	P01CA81A0002	UF Ser. - FLAT THERMOSTAT KNOB + ROUND STICKER (Freezer-S12)
<b>38</b>	Z01AE61A0014	RC 400/600-RN 400/600-LOCK+N.2 KEY(Door whit steel prof.)
<b>39</b>	E2309WH00002	HF-D02-1A-2B DOOR SWITCH (2P) 250VAC-4A; CONTACT NO
<b>40</b>	E28C71295015	DIGITAL THERMOM.-Dim.71X29-RANGE -50~+150C°-SF:SF-100P
<b>50W</b>	S41AS00A0001	CN 6 -STELL PAINTED FOAMED ASSEMBLY BODY (White Color - S12)
<b>50X</b>	S51AS10A0001	CNX 6 - STAINLESS STELL FOAMED ASSEMBLY BODY (S/S Color-S12)
<b>51</b>	A01AF00A0002	RN 600/RN 400 - PRESSURE BALANCE VALVE
<b>52</b>	P01AF00A0004	RN 600/RN 400 -PRESS.BALANCE VALVE HOLDER+UPPER/BOTTOM COVER
<b>53</b>	P01AF07A0004	RN 600/RN 400 - LEFT SUPPORT FOR SHELVES EVAPORATOR
<b>54</b>	A01AF07A0002	RN 600 - FRONTAL EVAPORATOR STRIPES
<b>55</b>	P01AF07A0003	RN 600/RN 400 - RIGHT SUPPORT FOR SHELVES EVAPORATOR
<b>56</b>	I01AS07A0001	CN/CNX 6 - SHELVES EVAPORATOR (White Color - S12)
<b>60</b>	E26I30121200	OUTPUT SUPPLY MW TYPE:APV-12-12; 12W (led light)
<b>61</b>	E22AL0020045	LED STRIPES LAMP SET - 12VDC 1,92W-N°24 HIGH BRIGHT
<b>62</b>	S21AZ72A0007	CRG 4/6 - RCG MED - S/S CYLINDRIC HANDLE (Glass door-S12)
<b>63</b>	A01AE72A0001	RCG/RCXG 600-DOOR(Gasket+Cylindric HandleCap+Down Axis)Alum.
<b>64</b>	R01AE72A0002	RCG 600 - DOOR GASKET



